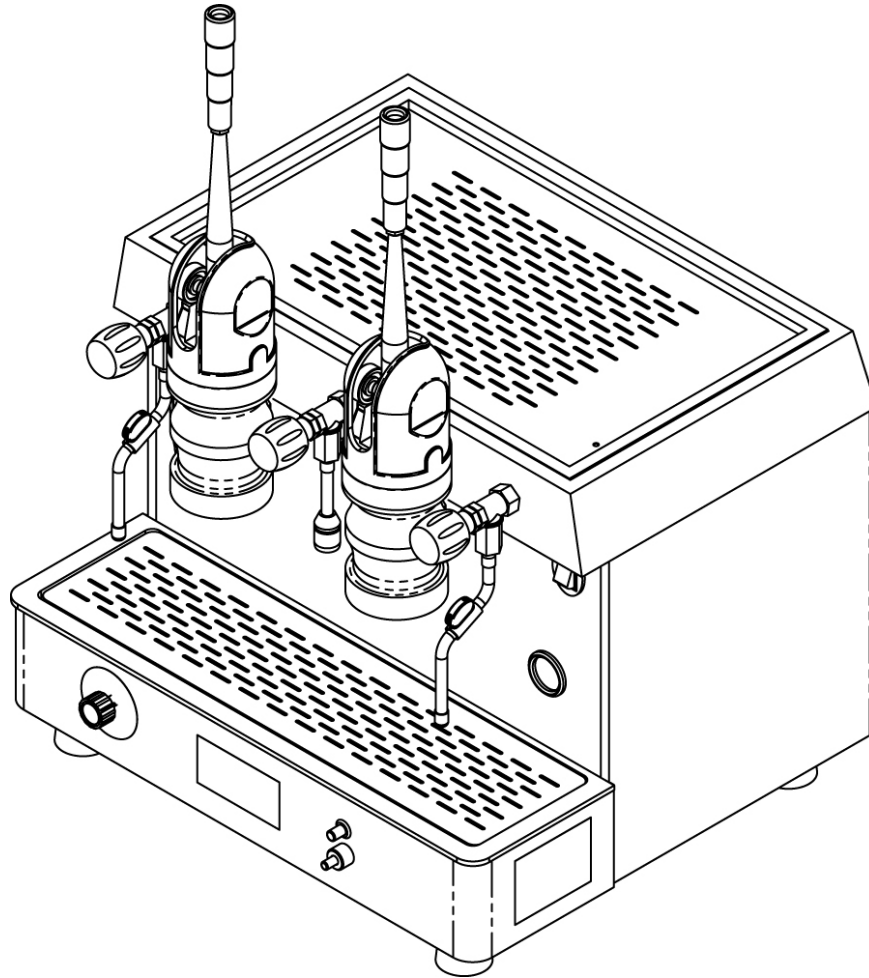


# RETRO LEVER MACHINE DUAL FUEL

## PARTS LIST



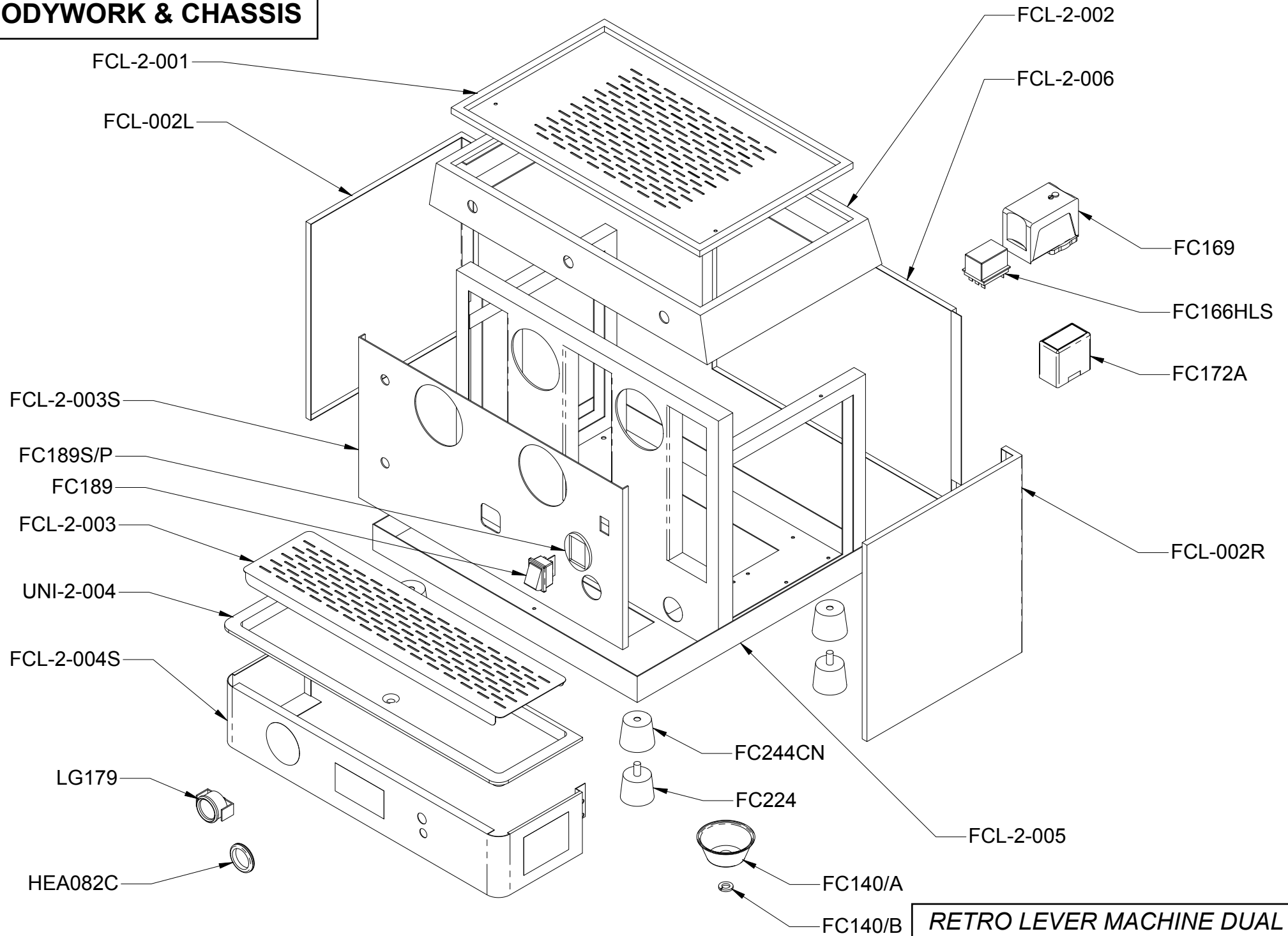
Fracino Ltd.  
17-19 Birch Road East  
Birmingham  
B6 7DA

Tel: 0044 (0)121 328 5757  
Fax: 0044 (0)121 327 3333  
Email: [sales@fracino.com](mailto:sales@fracino.com)

## **CONTENTS**

<b>1-2</b>	<b>BODYWORK &amp; CHASSIS</b>
<b>3-4</b>	<b>GAS KIT</b>
<b>5-6</b>	<b>BOILER</b>
<b>7-8</b>	<b>LEVER GROUP</b>
<b>9-10</b>	<b>MANIFOLD</b>
<b>11-12</b>	<b>STEAM &amp; WATER VALVES</b>
<b>13-14</b>	<b>SIGHT GLASS</b>

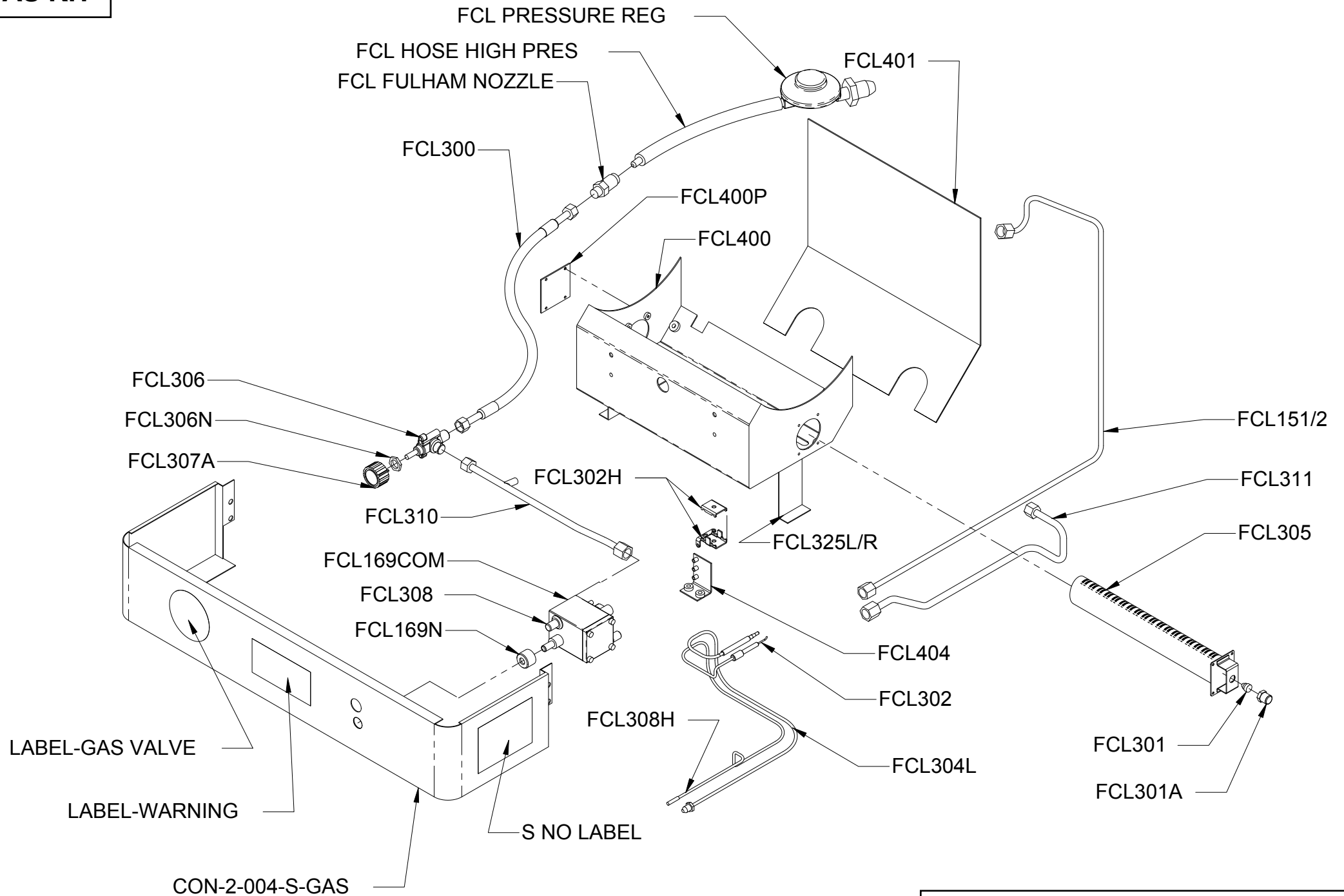
# BODYWORK & CHASSIS



## BODYWORK & CHASSIS

PART NO.	DESCRIPTION	QUANTITY
FC140/B	Waste Funnel Locking Washer	1
FC140A	Waste Cup	1
FC166HLS	High Limit Manual Reset Thermostat	1
FC169	Pressure Switch	1
FC172A	Electronic Water Controller	1
FC189	Mains on/off Switch	1
FC189S/P	Switch Surround	1
FC244	Rubber Foot	4
FC244CN	Chrome Foot	4
FCL-002L	Side Panel Left	1
FCL-002R	Side Panel Right	1
FCL-2-001	Cup Tray	1
FCL-2-001S	Front Panel	1
FCL-2-002	Top panel	1
FCL-2-003	Drip Tray Inner	1
FCL-2-004S	Drip Tray Support Band	1
FCL-2-005	Chassis	1
FCL-2-006	Rear Panel	1
HEA082C	Grommet	1
LG179	Pressure Gauge & Bracket	1
UNI-2-004	Drip Tray	1

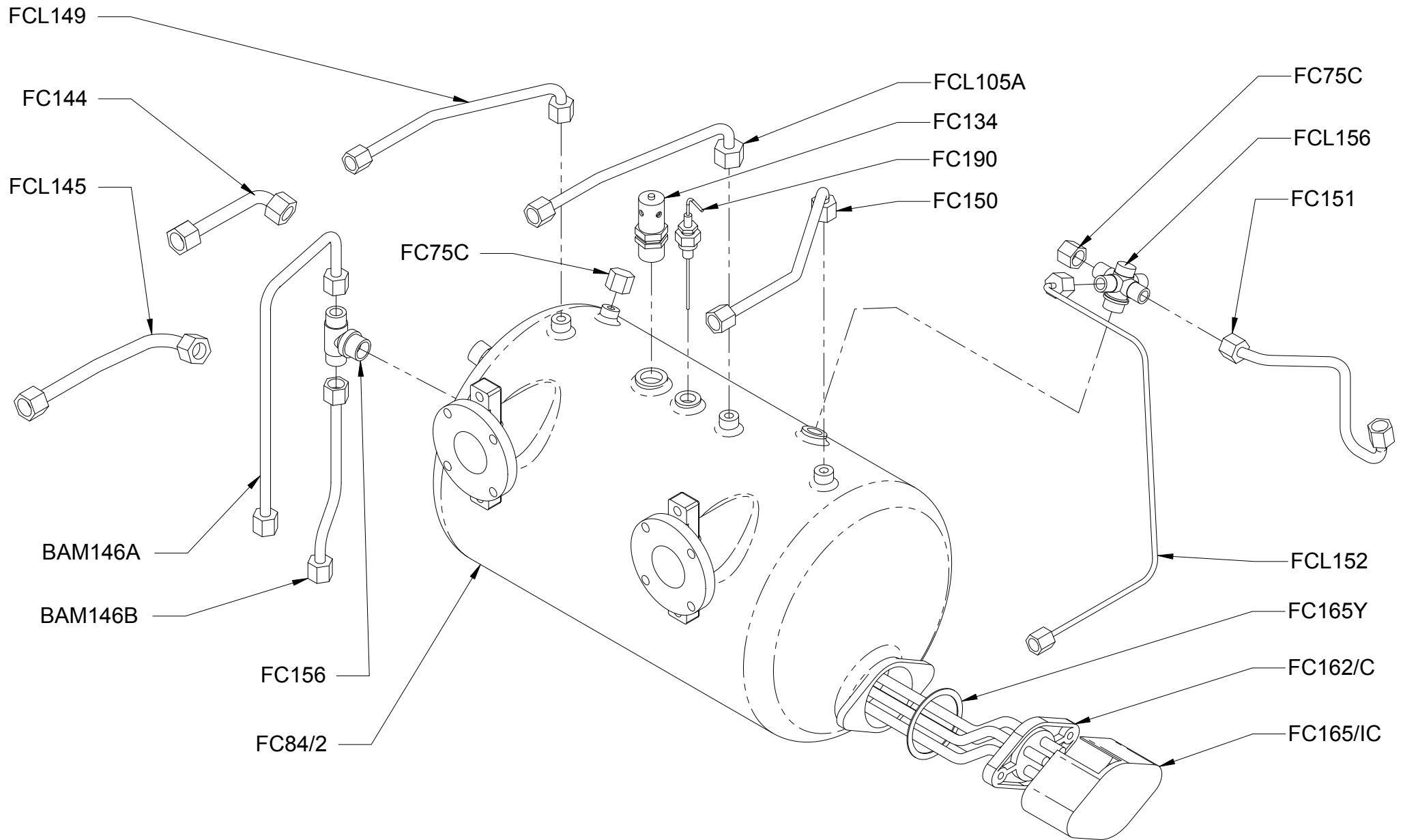
# GAS KIT



## GAS KIT

PART NO.	DESCRIPTION	QUANTITY
CON-2-004-S-GAS	Std. Wrap Round Gas Module	1
FCL 311	Gas Control Valve to Burner Feed Pipe	1
FCL FULHAM NOZZLE	Fulham Nozzle ¼ " Hose	1
FCL HOSE HIGH PRES	LPG High Pressure Hose	1
FCL PRESSURE REG	Regulator	1
FCL151/2	Gas Control Valve to Boiler Steam	1
FCL169COM	Complete Gas Control / Piezon Ignitor	1
FCL169N	Control Valve Locknut	1
FCL300	8mm Braided LPG Gas Inlet Hose	1
FCL301	Jet	1
FCL301A	Holder	1
FCL302	Ht Electrode	1
FCL302H	HT Ignitor and Bracket	1
FCL304L	Thermocouple 900mm	1
FCL305	Gas Burner	1
FCL306	Gas Valve 3 Position	1
FCL306N	Gas Valve Lock Nut	1
FCL307A	Gas Valve Knob	1
FCL308	Piezo Spare	1
FCL308H	HT Lead	1
FCL310	Gas Inlet Valve to Control NCL Test Nipple	1
FCL325L/R	Burner Supports	2
FCL400	Burner Box	1
FCL400P	Blanking Plate Burner Box	1
FCL401	Baffe Plate	1
FCL404	Pizot / Thermocouple Bracket	1
LABEL- GAS VALVE	Control Valve Label	1
LABEL-WARNING	Warning Label	1
S NO LABEL	Labels – Serial no. Gas	1

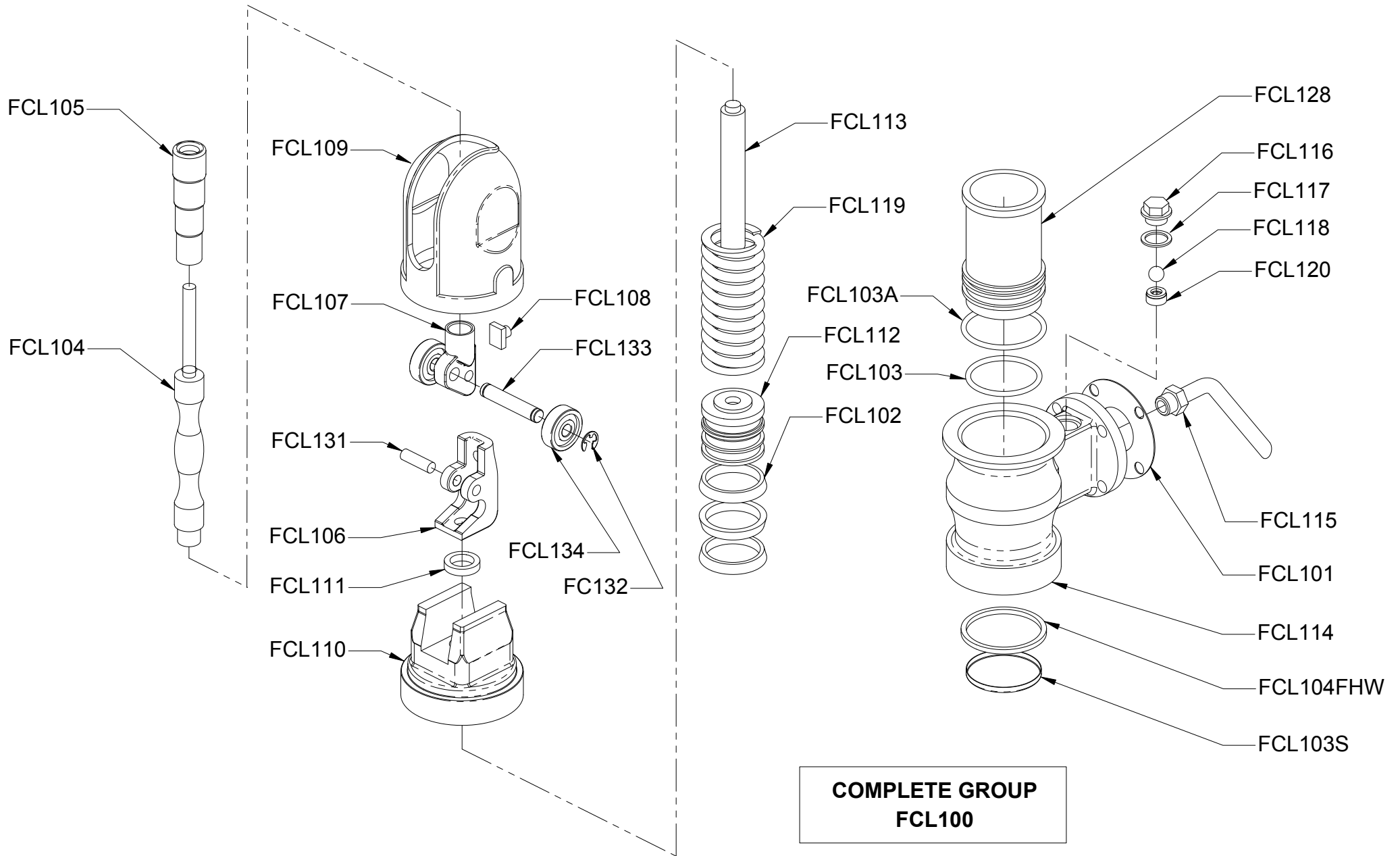
# BOILER



## BOILER

PART NO.	DESCRIPTION	QUANTITY
FCL156	3/8" to 1/4" 4 Way Boiler Fitting	1
BAM146A	Manifold Solenoid to Boiler pipe	1
BAM146B	Manifold to Boiler pipe	1
FC134	Safety Valve Sealed 1.6 – 1.8 bar	1
FC144	Sight Glass to Boiler Pipe Upper	1
FC150	Steam Valve to Boiler Pipe Right	1
FC156	Boiler Tee Fitting 3/8" x 1/4" x 1/4"	1
FC162/C	Element	1
FC165/IC	Element Cover	1
FC165Y	Gasket	1
FC190	Probe	1
FC75C	Cap Nut	2
FC84/2	Boiler	1
FCL145	Sight Glass to Boiler Pipe Lower	1
FCL149	Steam Valve to Boiler Pipe Left	1
FCL150A	Water Valve to Boiler Pipe	1
FCL151	Pressure Switch to Boiler Pipe	1
FCL152	Pressure Gauge to Boiler Pipe	1

# LEVER GROUP

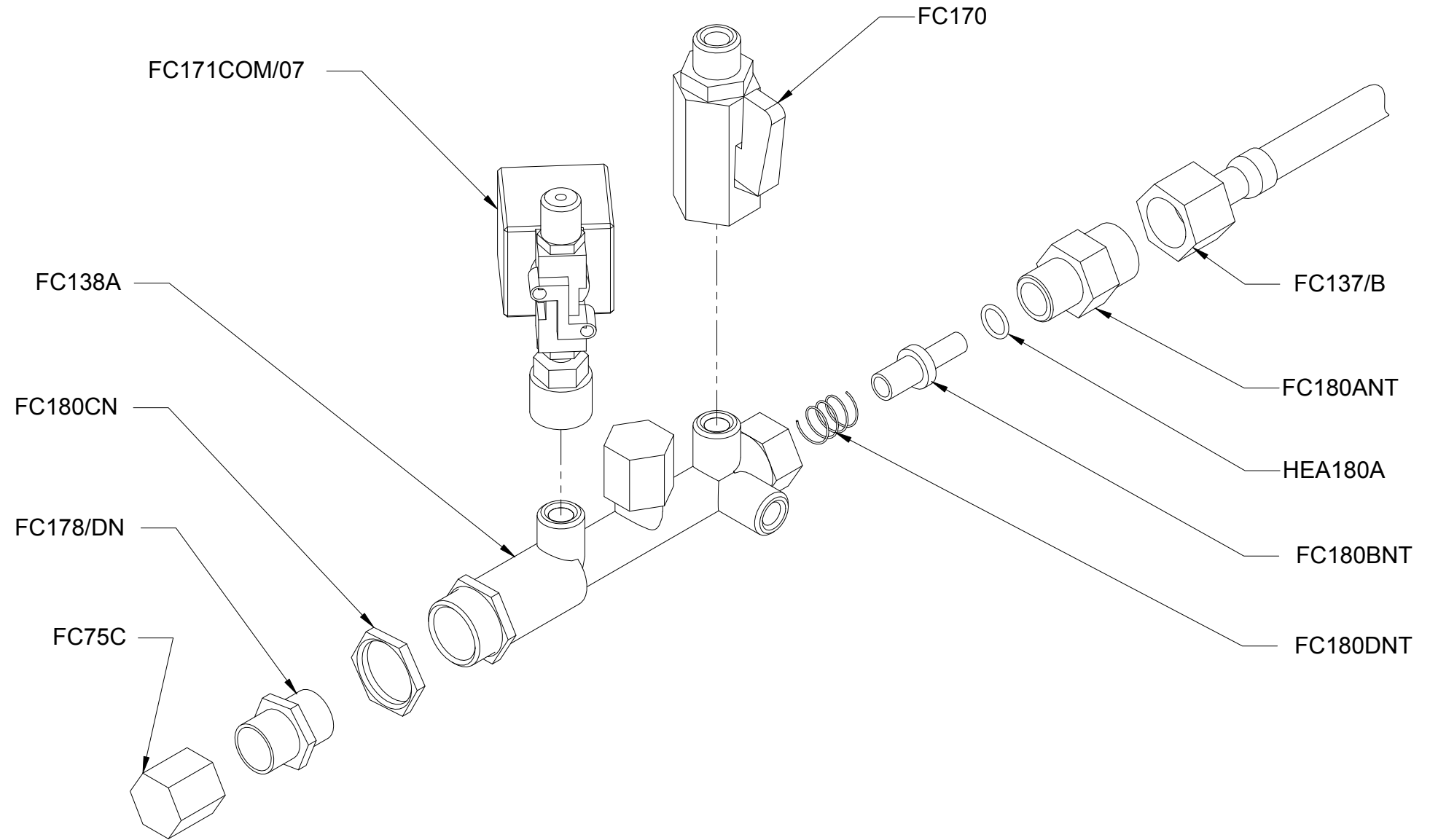


**COMPLETE GROUP  
FCL100**

## LEVER GROUP

PART NO.	DESCRIPTION	QUANTITY
FC132	Circlip	2
FCL100	Complete Group Assembly	1
FCL101	Group Gasket	2
FCL102	Piston Washers Vee Ring	6
FCL103	Viton O Ring	2
FCL103A	Viton O Ring	2
FCL103S	Shower Plate Clip On	2
FCL104	Group Lever	2
FCL104FHW	Holder Gasket 65x56x6	2
FCL105	Group Handle	2
FCL106	Yolk	2
FCL107	Group Lever Cam	2
FCL108	Stop	2
FCL109	Lever Group Cover	2
FCL110	Lever Group Head	2
FCL111	Cushion	2
FCL112	Piston	2
FCL113	Connecting Rod	2
FCL114	Group Body	2
FCL115	Dip Tube	2
FCL116	Non Return Valve Cap Nut	2
FCL 117	Copper Washer	2
FCL118	Ball Bearing	2
FCL119	Group Spring	2
FCL120	NRV PTFE Seat	2
FCL128	Lever Group Sleeve	2
FCL131	Pivot Pin Cam to Yolk	2
FCL133	Pivot Pin Bearing	2
FCL134	Bearing only 2 per group	4

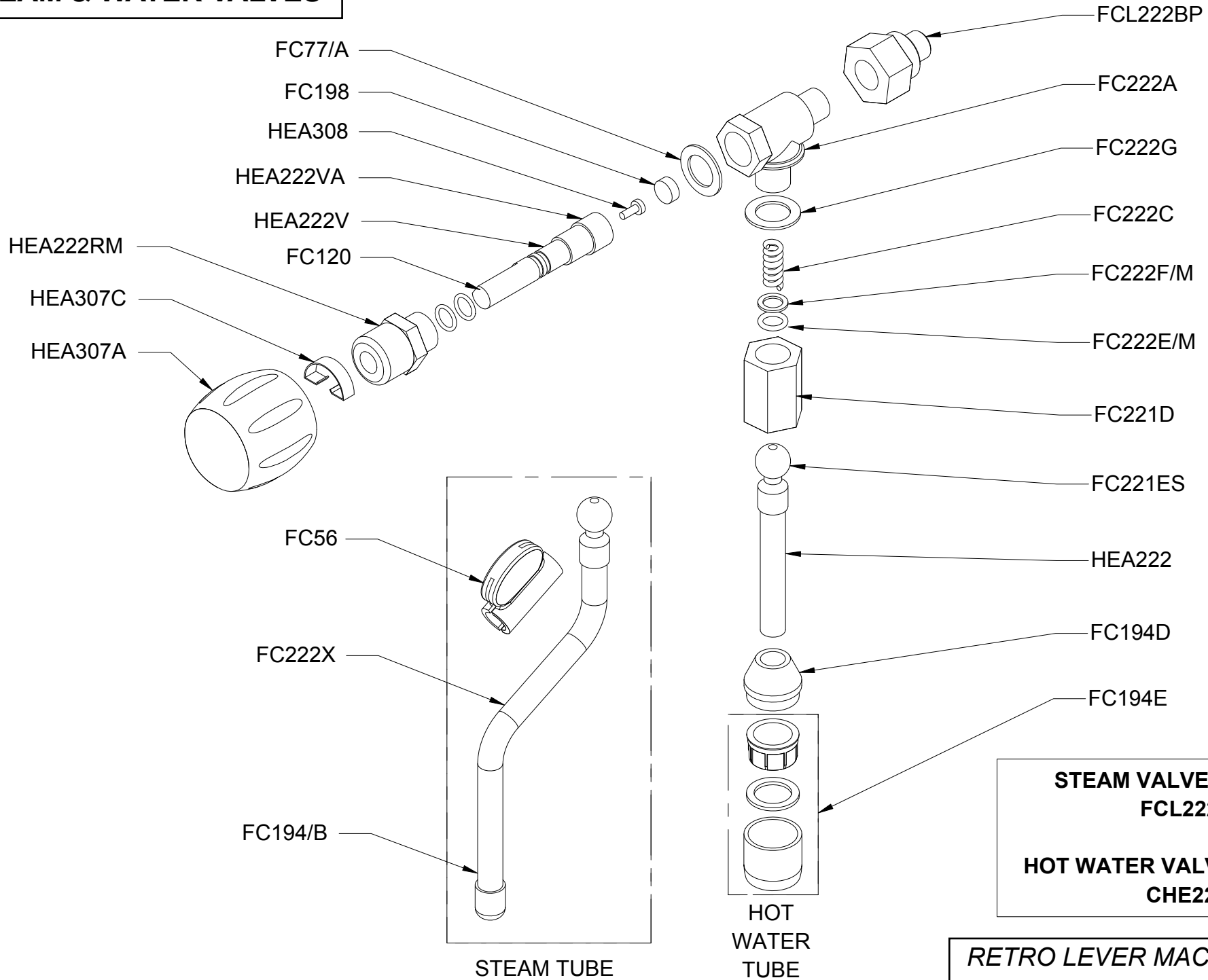
# MANIFOLD



## MANIFOLD

PART NO.	DESCRIPTION	QUANTITY
FC75C	Blank Nut	2
FC137B	Braded Inlet Hose $\frac{3}{8}$ Elbow $\frac{3}{4}$ Straight (2.5M)	1
FC138A	Manifold	1
FC170	Manual Fill Valve	1
FC171COM/07	Inlet Solenoid Valve (inc. fittings)	1
FC180ANT	Non Return Valve Fitting	1
FC180BNT	Non Return Valve Stem	1
FC180CN	M20 Locknut	1
FC180DNT	Non Return Valve Spring	1
HEA138COM	Manifold Assembly Complete	1
HEA180A	O Ring	1
LG178DN	$\frac{3}{8}$ x $\frac{1}{4}$ Special Fitting	1

# STEAM & WATER VALVES



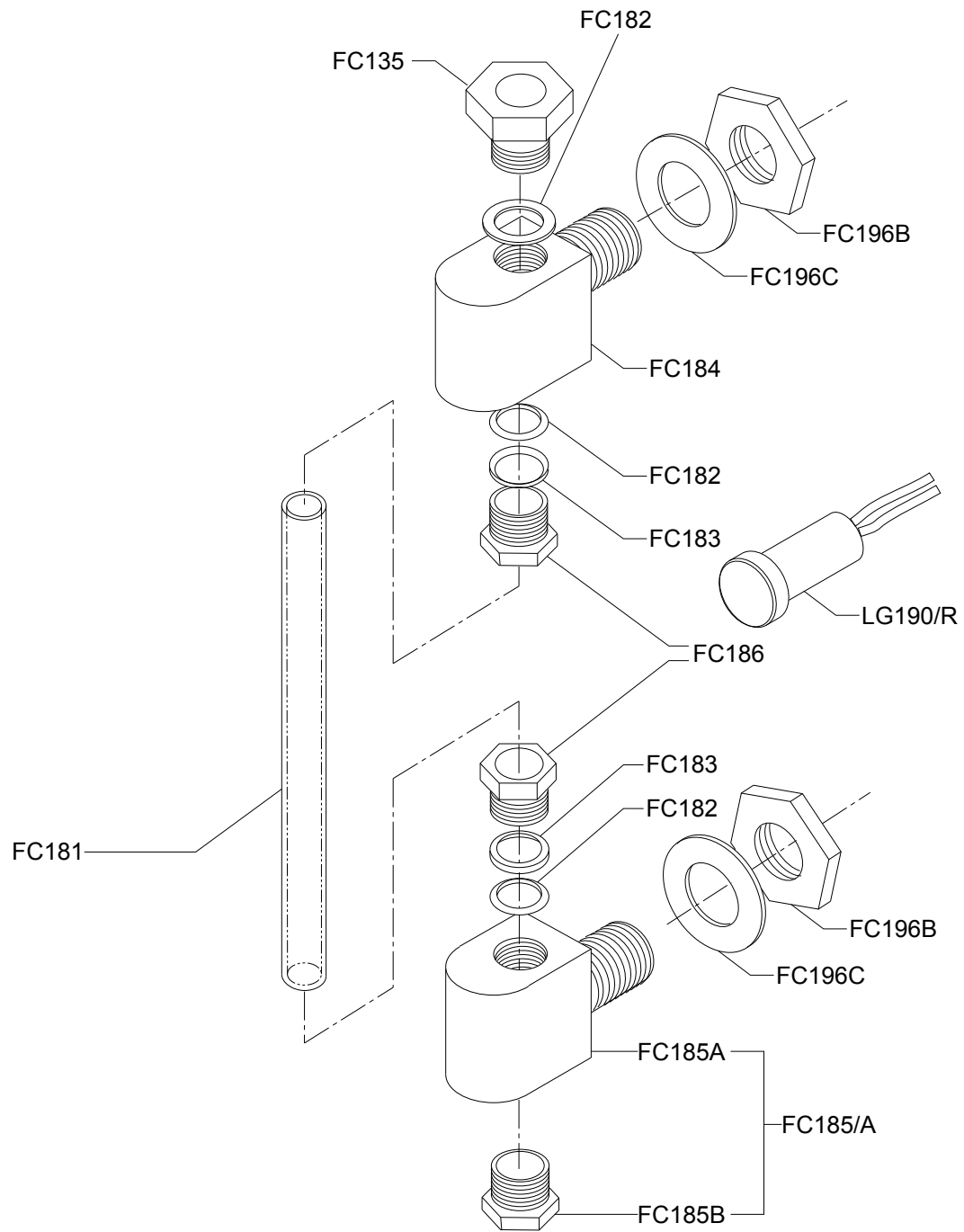
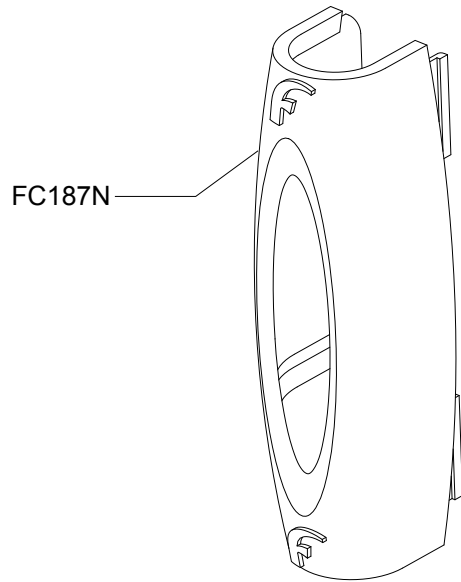
**STEAM VALVE COMPLETE  
FCL222AA**

**HOT WATER VALVE COMPLETE  
CHE222B**

## STEAM & WATER VALVES

PART NO.	DESCRIPTION	QUANTITY
FCL222AA	Steam Valve Assembly Complete	1
FCL222B	Hot Water Valve Assembly Complete	1
FC56	Steam Tube Clip	1
FC77/A	3/8" BSP Aluminium Washer	2
FC120	'O' Rings Valve Stems	4
FC194/B	Steam Nozzle	1
FC194D	Non-splash Hot Water Nozzle Complete	1
FC194E	Hot Water Mesh Assembly Complete	1
FC198	Pad Washer	2
FC221D	Steam/Water Tube Retaining Nut	2
FC221ES	Chrome Plated Ball	2
FC222A	Valve Body	2
FC222C	Spring (steam pipe)	2
FC222E/M	'O' Ring	2
FC222F/M	Brass Spacer Spherical 'end mod'	2
FC222G	Seal	2
FC222X	Steam Pipe St. steel	1
FCL222BP	1/4" – 1/2" Valve Conversion Fitting	2
HEA222	Water Pipe St. steel	1
HEA222RM	Valve Head and Stem Guide	2
HEA222V	Valve Stem	2
HEA222VA	Valve Jumper	2
HEA307A	Hand Wheel Curved Sided (black)	2
HEA307C	Spring Clip D Shape	2
HEA308	M4 Screw	1

# SIGHT GLASS



## SIGHT GLASS

PART NO.	DESCRIPTION	QUANTITY
FC135	Anti vac valve	1
FC181A	Sight glass complete assembly	1
FC181	Sight glass	1
FC182	Sight glass 'o' ring viton	3
FC183	Sight glass brass ring	2
FC184	Sight glass top holder	1
FC185/A	Sight glass bottom holder (including drain plug)	1
FC185/B	Sight glass drain plug (chrome)	1
FC186	Sight glass retaining nut	2
FC187N	Sight Glass Cover	1
FC196B	3/8" BSP Lock nut	2
FC196C	3/8" BSP St. steel washer	2
FC190G	Green neon water fill	1
FC190R	Red neon	1